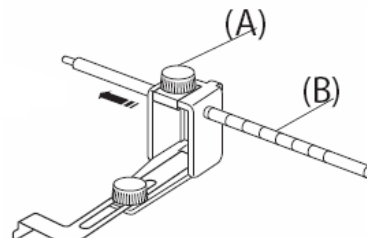


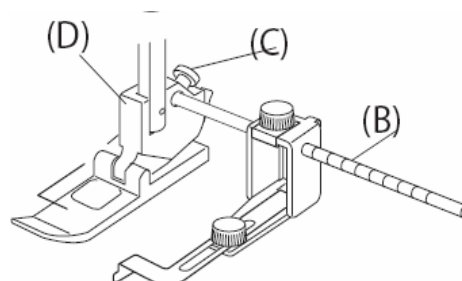
## ELNA 434 ADJUSTABLE SEAM GUIDE ENGLISH

1. For your safety, turn off the power switch before changing any attachments.

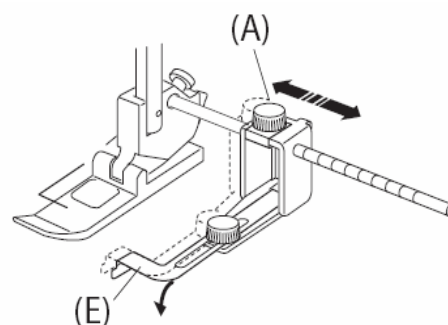
Loosen the thumb screw (A) and insert the bar (B) into the holes as shown.



2. Turn off the power switch.  
Lower the presser foot.  
Loosen the setscrew (C) and insert the bar (B) into the foot holder (D). Tighten the setscrew (C) firmly.



3. Align the guide (E) with the seam, the edge of the fabric or marking on the needle plate.  
Tighten the thumb screw (A) firmly.



4. Loosen the thumb screw (F) and set the guide (E) in a suitable position by moving it forward or back. Set it:
  - shorter, when guiding the seam.
  - longer, when guiding the cloth.
5. Tighten the thumb screw (F) firmly.
6. Turn on the power switch.

