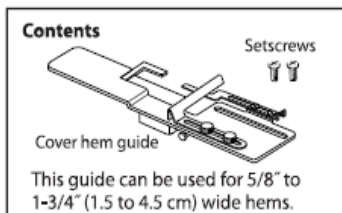


ELNA 434 COVER HEM GUIDE ENGLISH



This guide can be used for 5/8" to 1-3/4" (1.5 to 4.5 cm) wide hems.

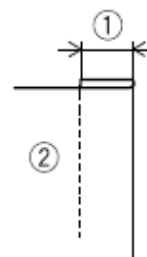
WARNING:

Turn the power switch off when attaching this guide.

1. PREPARATION

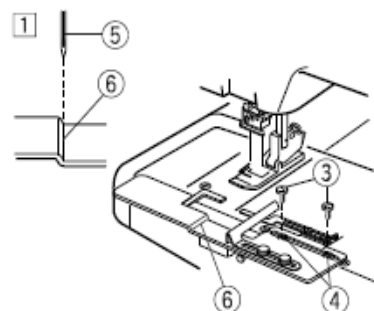
Turn back the hem to the desired width and press with an iron.

- (1) Hem width
- (2) Right side of fabric



2. ATTACHING THE COVER HEM GUIDE

- [1] Place the cover hem guide on the machine and fix it to the looper cover with the two setscrews.
Use the inner pair of screw holes in the looper cover.



Note:

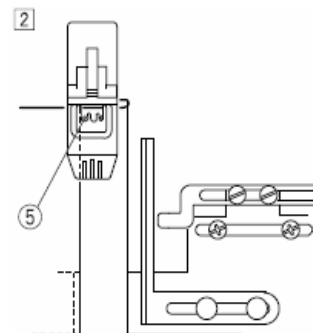
Tighten the setscrews slightly so you can still move the cover hem guide.

- (3) Setscrews
- (4) Screw holes

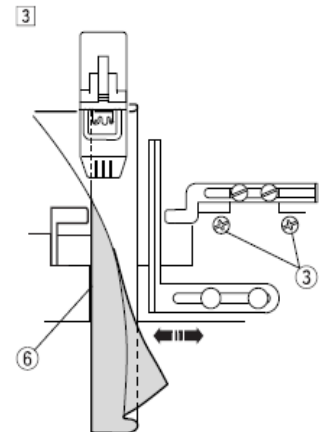
- [2] Setting the Fabric

Place the fabric on the guide and under the presser foot. Lower the needle so the left needle scarcely catches the raw edge. Lower the presser foot.

- (5) Left needle



- [3] Slide the cover hem guide and align the guide step with the raw edge then tighten the two setscrews securely.
 (6) Guide step

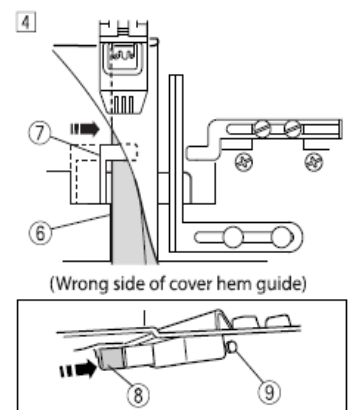


- [4] Insert the sliding guide into the hem by pushing the lever under the cover hem guide as shown.

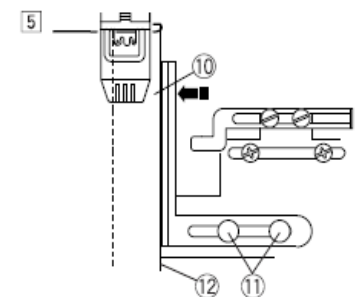
Note:

To release the sliding guide, push the release button under the cover hem guide.

- (6) Guide step
- (7) Sliding guide
- (8) Lever
- (9) Release button



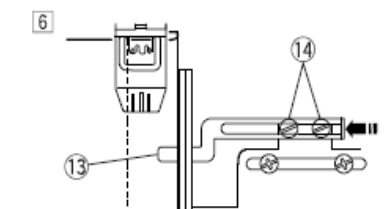
- [5] Loosen the two thumbscrews and move the cloth guide to the left until it touches the hem edge. Tighten the two thumbscrews securely.
 (10) Cloth guide
 (11) Thumbscrews
 (12) Hem edge



- [6] Push the hem smoother to the left to hold the hem with the tip of the smoother.
 (13) Hem smoother

Note:

You do not need to loosen the two hinge screws. Sew on test fabric before sewing the actual garment.
 (14) Hinge screws



3 SEWING

Sew while guiding the raw edge along the guide step with your left hand.

Note:

When sewing a hem of a tubular item such as a skirt, release the sliding guide by pushing the release button just before reaching the start of sewing.

(15) Start sewing position

