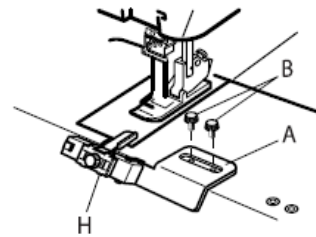


ELNA 434 ELASTIC GATHERING ATTACHMENT (NARROW) ENGLISH

This attachment can be used for elastic tape widths of 6 to 8.5 mm.

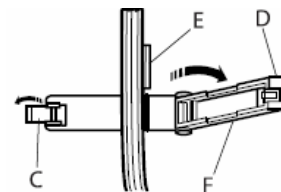
1. For your safety, turn off the power switch before changing any attachments.

Loosely attach the elastic gathering attachment (A) to the machine with the two thumb screws (B) in the accessory set of your Elna 434.



2. Push the clasp (C) to the left and release the holding plate (D).

Position the elastic tape so that the right edge of the tape is aligned with the reference line (E). Pull about 6cm (2-3/8") of the elastic under the presser foot.

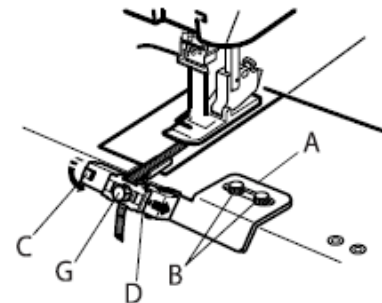


3. Close the holding plate (D) and secure the end with the clasp (C). Make sure that the elastic is in the groove (F). Slide the slide plate (H) with your finger so that the holding plate guides the left side of the elastic tape.

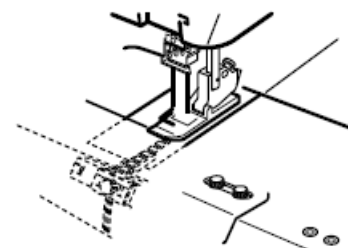
Adjust the amount of stretch of the elastic by turning the thumb screw (G):

- clockwise to increase.
- counter-clockwise to decrease.

Adjust the lateral position of the elastic tape by loosening the two thumb screws (B) and sliding the entire device to the left or right. Tighten the thumb screws (B) securely.



4. Place the fabric under the presser foot, and sew together with the elastic. (Test stitching before sewing actual fabric.)



For best results, try sewing with different amounts of tension on the thumb screw (G) before sewing your actual garment.